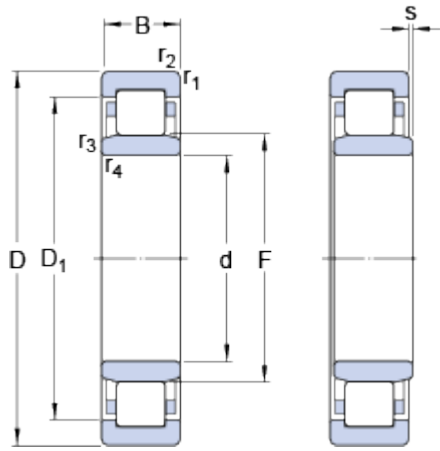


NU 2309 ECML

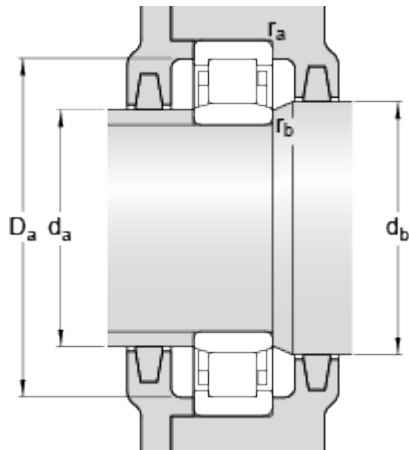
SKF Explorer

Dimensions



d		45	mm
D		100	mm
B		36	mm
D ₁	≈	83.75	mm
F		58.5	mm
r _{1,2}	min.	1.5	mm
r _{3,4}	min.	1.5	mm
s		3.2	mm

Abutment dimensions



d _a	min.	54	mm
d _a	max.	56	mm
d _b	min.	60	mm
D _a	max.	91.4	mm
r _a	max.	1.5	mm
r _b	max.	1.5	mm

Calculation data

Basic dynamic load rating	C	160	kN
Basic static load rating	C ₀	153	kN
Fatigue load limit	P _u	20	kN
Reference speed		7500	r/min
Limiting speed		13000	r/min
Calculation factor	k _r	0.38	

Mass

Mass bearing		1.463	kg
--------------	--	-------	----